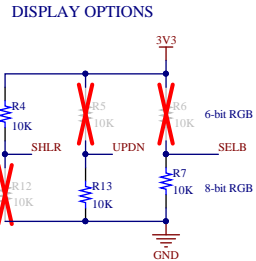
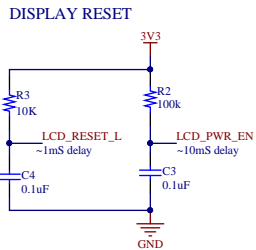
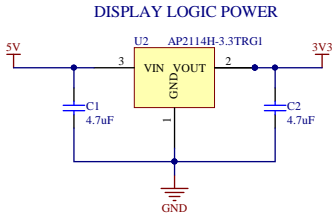


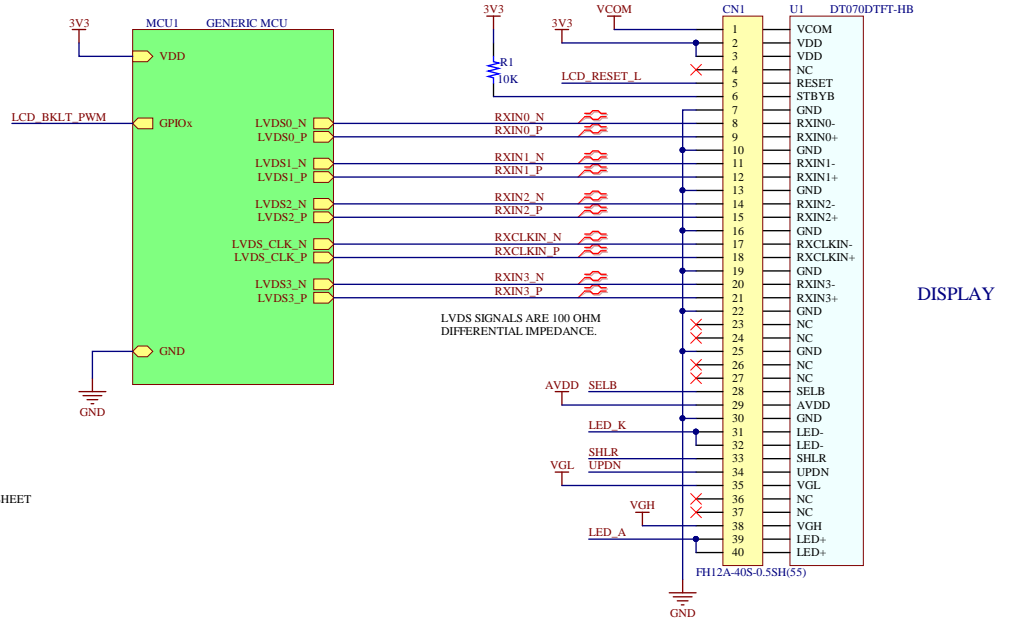
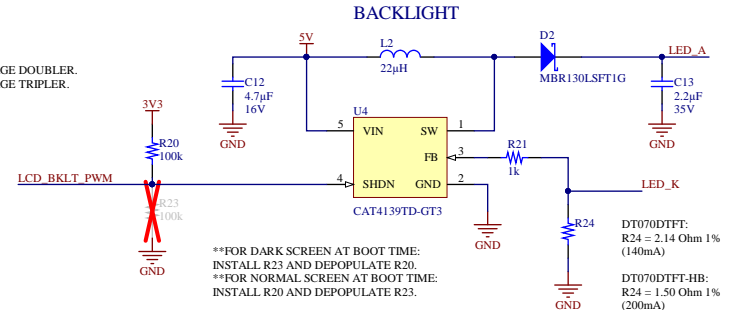
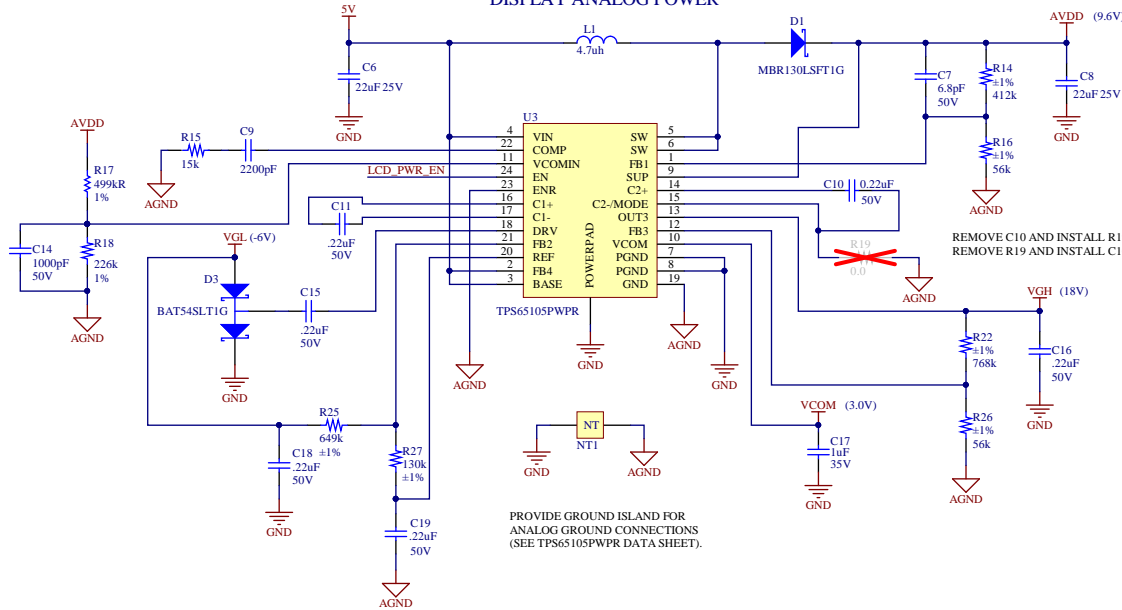
# DT070DTFT-IPS(-HB) Reference Design

(Standard and High-Brightness Models)



SEE HX8282A11 DATA SHEET FOR SIGNAL DETAILS

## DISPLAY ANALOG POWER



|  |                   |               |                          |  |
|--|-------------------|---------------|--------------------------|--|
| Project: DT070DTFT-IPS-HB                  |                   |               | <br>a seacompany company |  |
| Title: DT070DTFT-IPS(-HB) Reference Design |                   |               |                          |  |
| Size: A3                                   | Doc Number: 1     | Revision: A1  | Drawn By: RCG            | SEACOMP Displaytech<br>2546 Gateway Road<br>Carlsbad, CA 92009 USA |
| Date: 2/11/2020                            | Time: 11:33:25 AM | Sheet: 1 of 1 | Approved:                |  |
| File: DT070DTFT-IPS-HB.SchDoc              |                   |               | Date:                    |  |