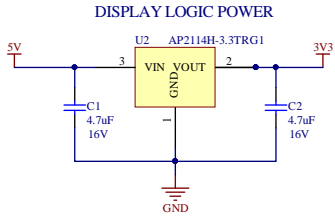
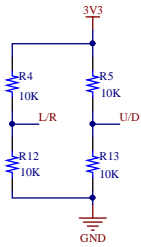


# DT043BTFT-PTS RGB Reference Design

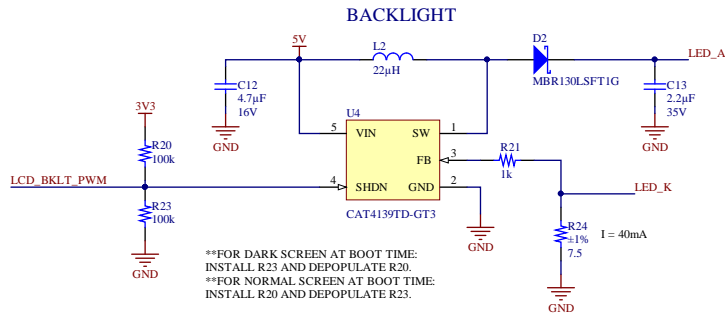
(RGB 24-BIT WITH SERIAL DATA CONFIGURATION)



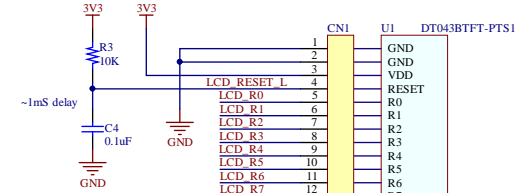
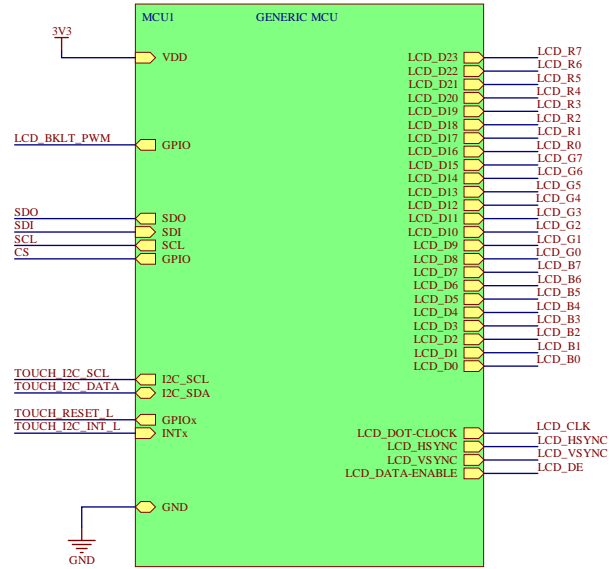
THESE SERIAL DATA SIGNALS ARE NOT FULLY COMPATIBLE WITH STANDARD SPI DATA PROTOCOLS. CUSTOM DRIVERS ARE NEEDED TO USE SPI HARDWARE PORTS.



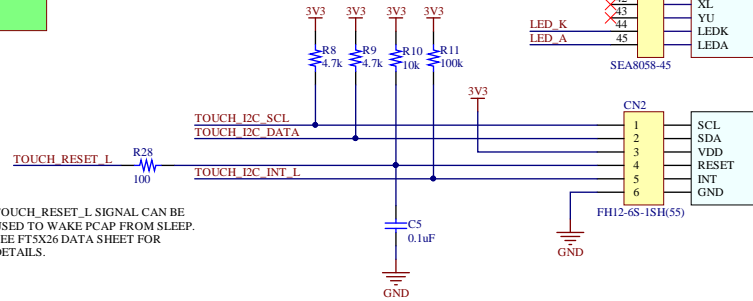
FOR LEFT-TO-RIGHT AND TOP-TO-BOTTOM SCAN, DEPOPULATE R12 AND R13.



\*\*FOR DARK SCREEN AT BOOT TIME: INSTALL R23 AND DEPOPULATE R20.  
\*\*FOR NORMAL SCREEN AT BOOT TIME: INSTALL R20 AND DEPOPULATE R23.




CONSULT THE DATA SHEET FOR THE PARTICULAR MCU CHOSEN TO ENSURE THE LCD DATA CONNECTIONS ARE THE SAME AS THIS EXAMPLE.



TOUCH\_RESET\_L SIGNAL CAN BE USED TO WAKE PCAP FROM SLEEP. SEE FT5X26 DATA SHEET FOR DETAILS.

SERIAL CONFIGURATION DATA HAS 6 BITS OF ADDRESS FOLLOWED BY TWO READ/WRITE BITS, THEN 16 BITS OF DATA. SEE THE HX8257-A01 DISPLAY DRIVER FOR DETAILS.

CHIP SELECT (CS) SIGNAL IS USED TO INITIATE A DATA TRANSFER SEQUENCE.

Project: DT043BTFT Reference Design			 a SEACOMP COMPANY	
Title: DT043BTFT-PTS RGB Reference Design				
Size: A3	Doc Number: 1	Revision: REVA1	Drawn By: RCG	SEACOMP Displaytech 2546 Gateway Road Carlsbad, CA 92009 USA
Date: 2/7/2020	Time: 4:01:26 PM	Sheet: 1 of 1	Approved:	
File: DT043BTFT-PTS_RGB.SchDoc			Date:	